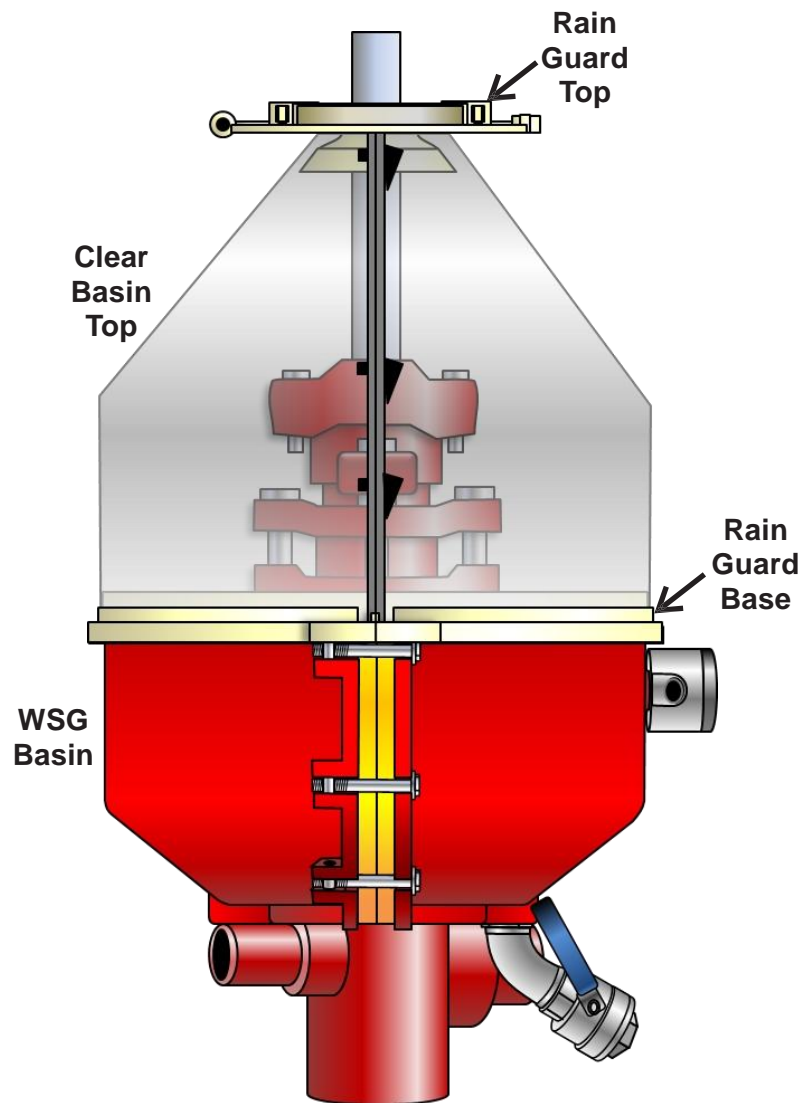




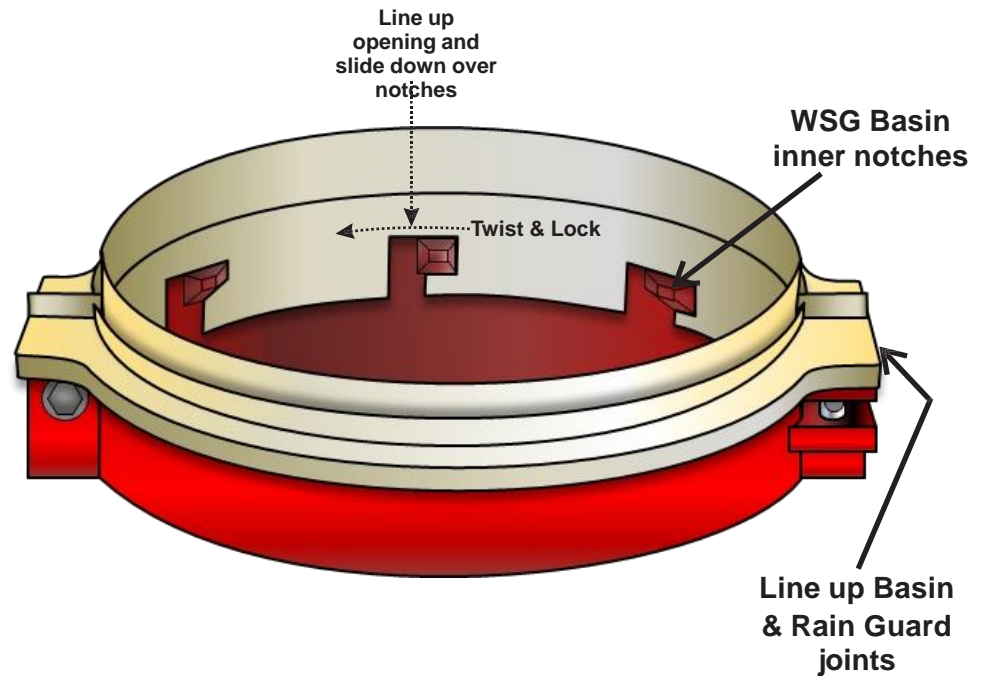
Well Site Guard Ltd.

Superior Well Head Protection Patent Pending

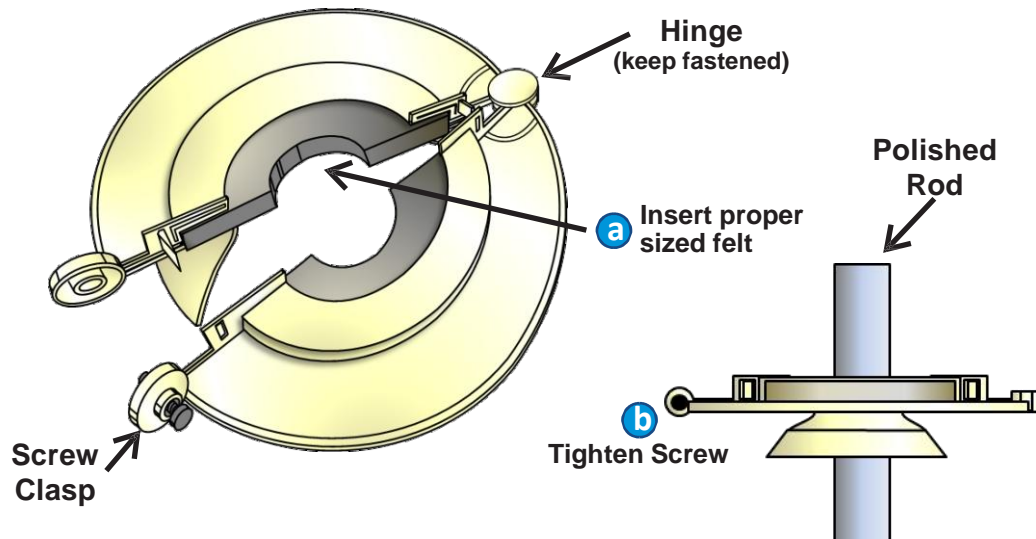
Rain Guard Installation



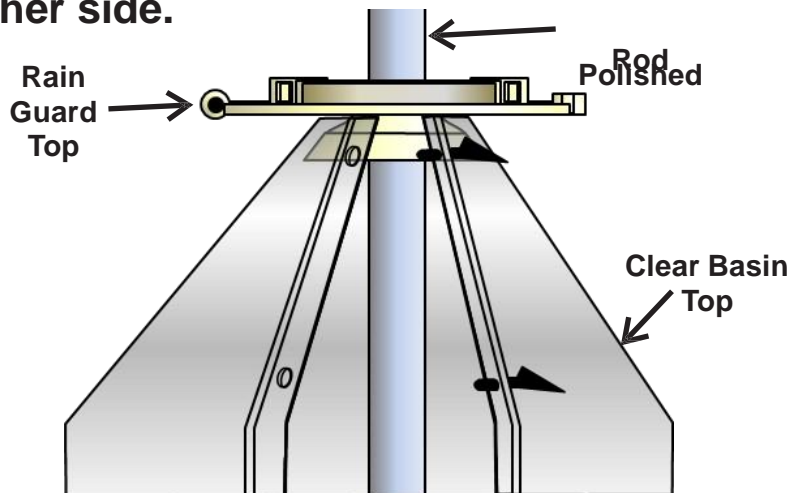
- 1** Unclip and remove Clear Basin Top.
- 2** Holding both sides together, line up and drop inner notches of the Rain Guard base over the WSG basin knobs; twist to secure.
Joined ends of the Rain Guard need to line up with the bolted joints of the WSG Basin.



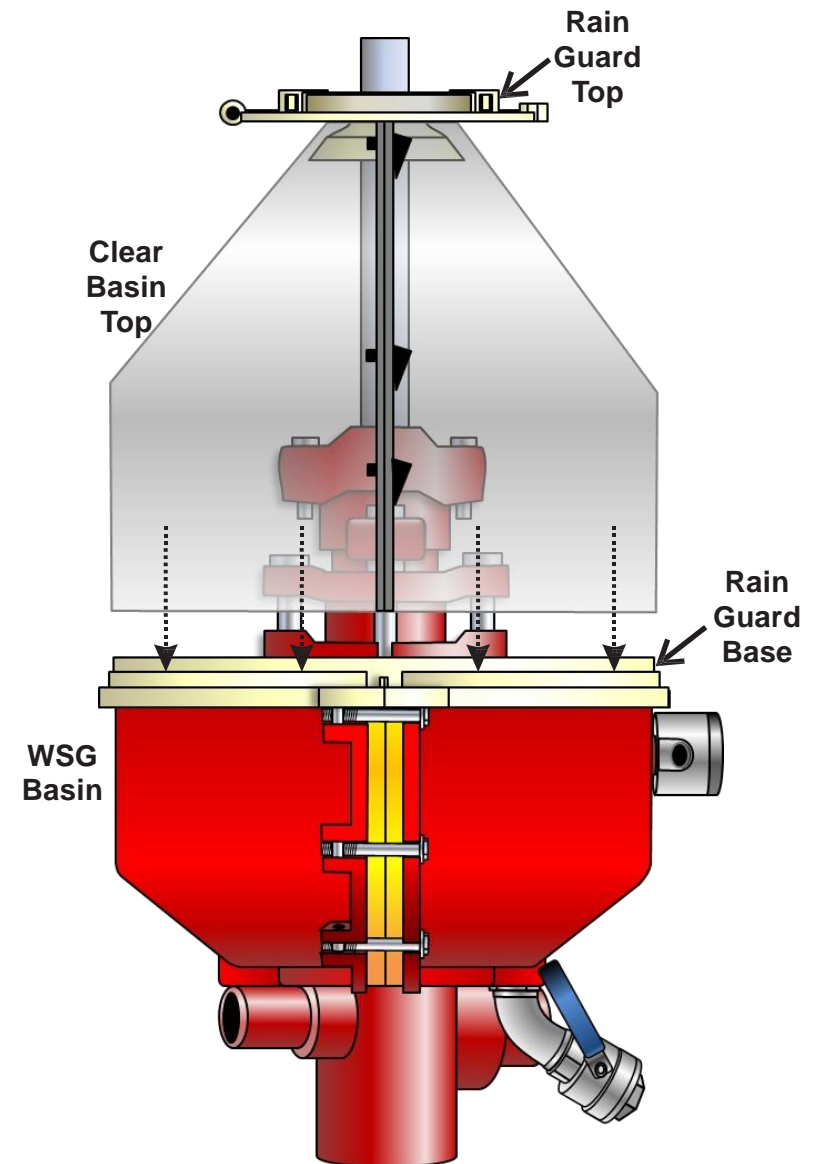
- 3** Insert appropriately sized felt insert into each side of the Rain Guard Top and clasp around the polished rod.



- 4** With Clear Basin Top's clips secured on ONE side, slide it into place on the under- side of the Rain Guard Top. Secure the Clear Basin Top's clips on the other side.



- 5** Drop joined Basin Top and Rain Guard Top into the slotted base.



- 6** Re-secure attachment spring from base to clear top